



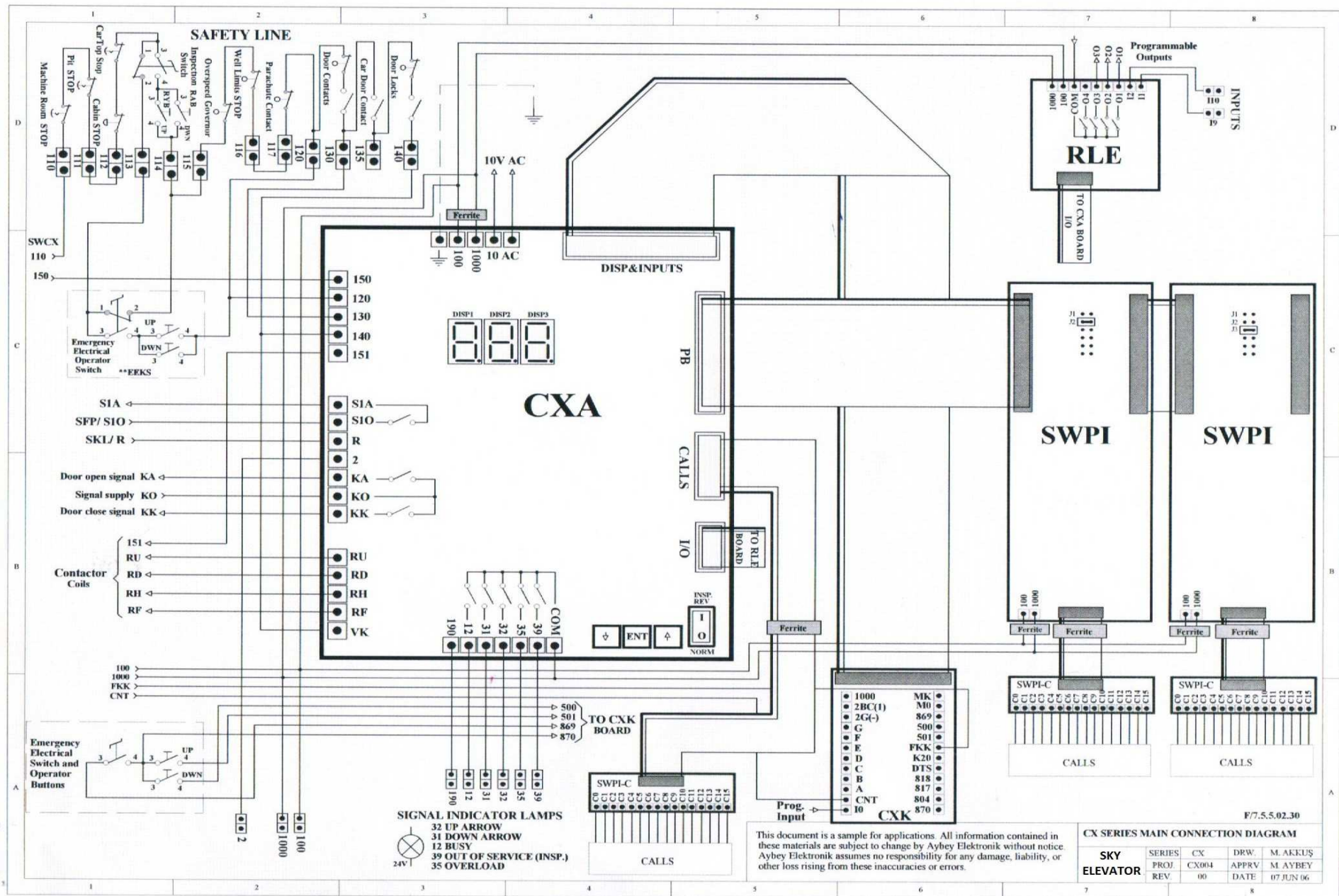
**Sky**  
Elevator  
www.sky-elevator.com

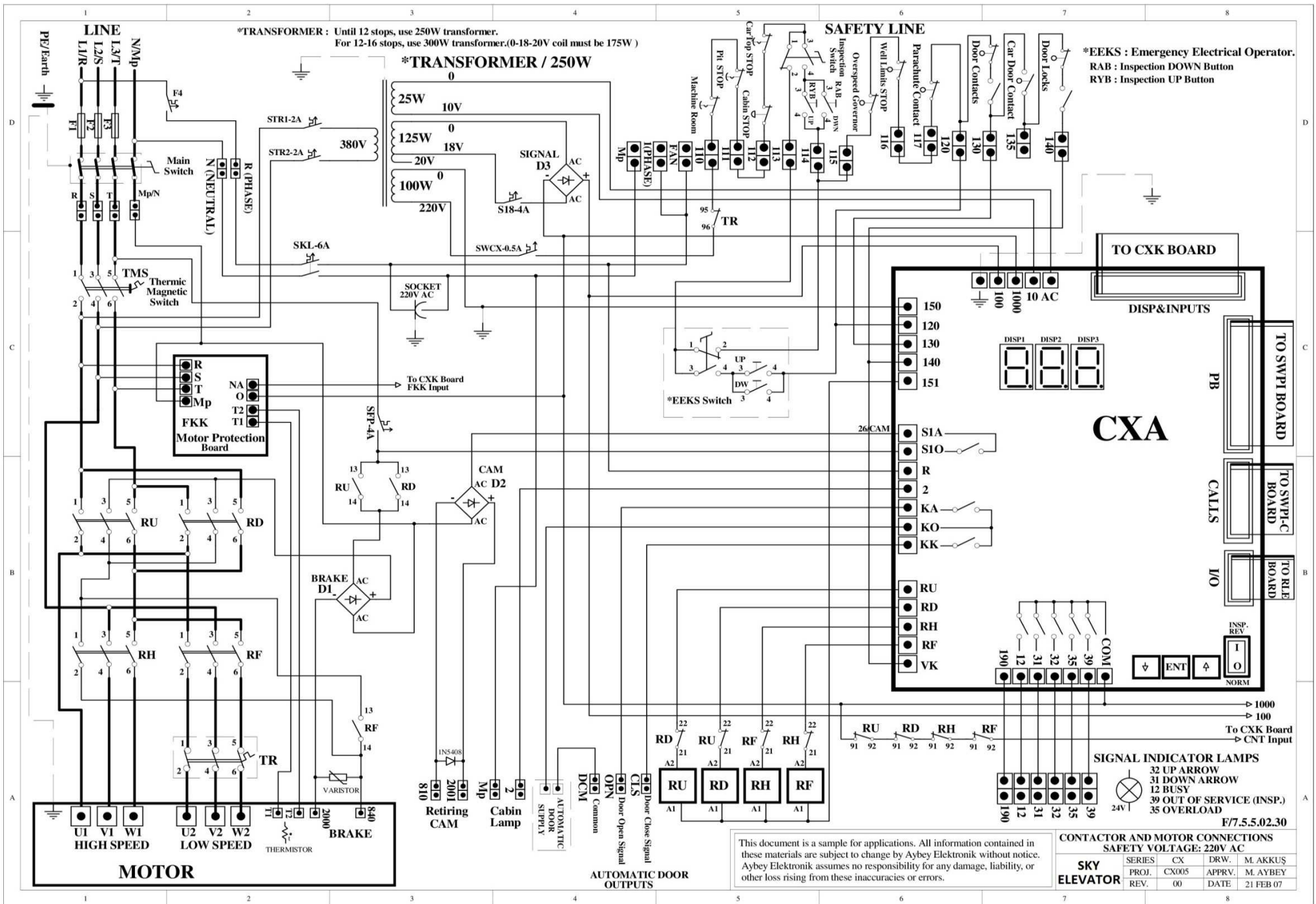


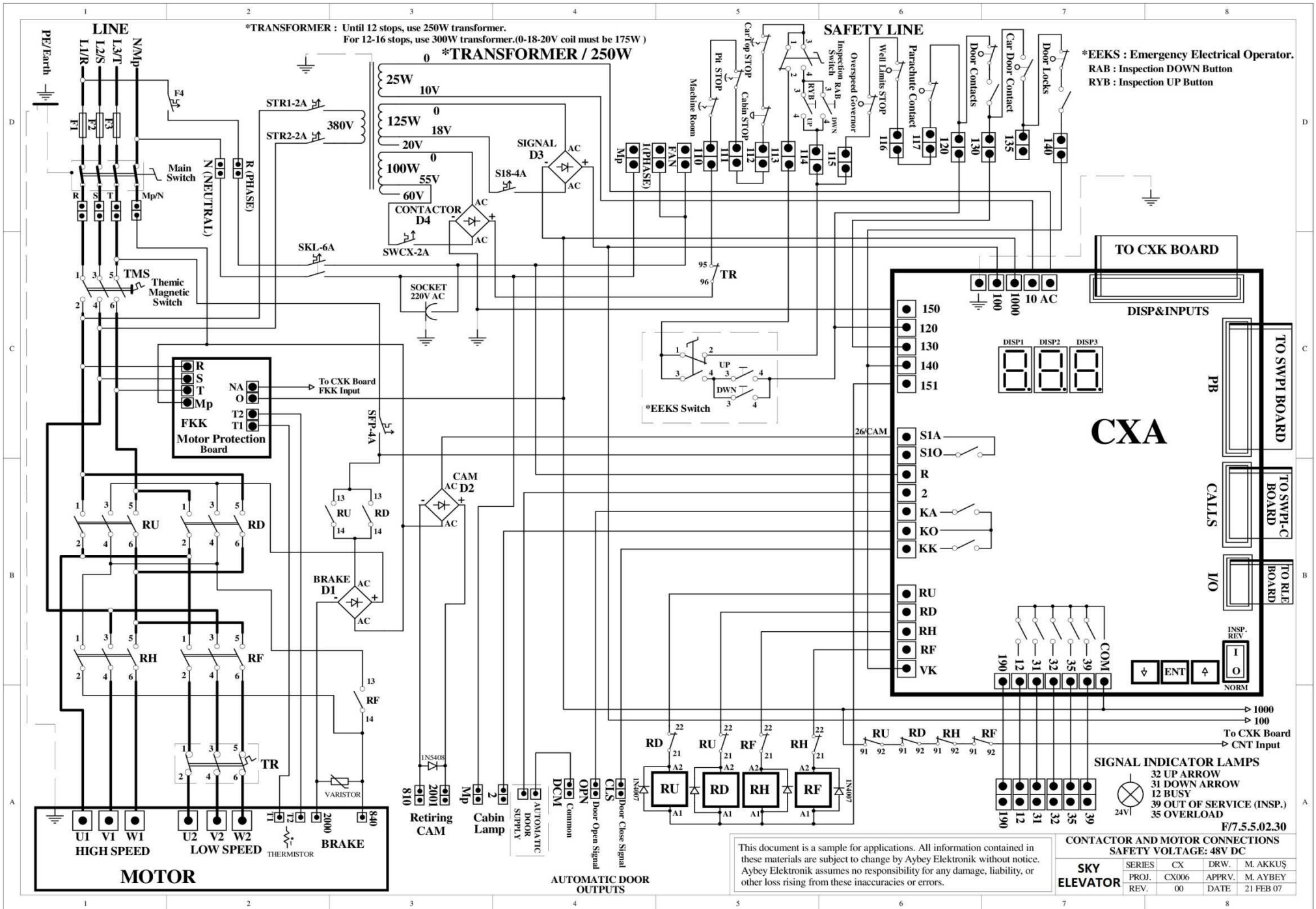
## **Sky-306 (CXA)**

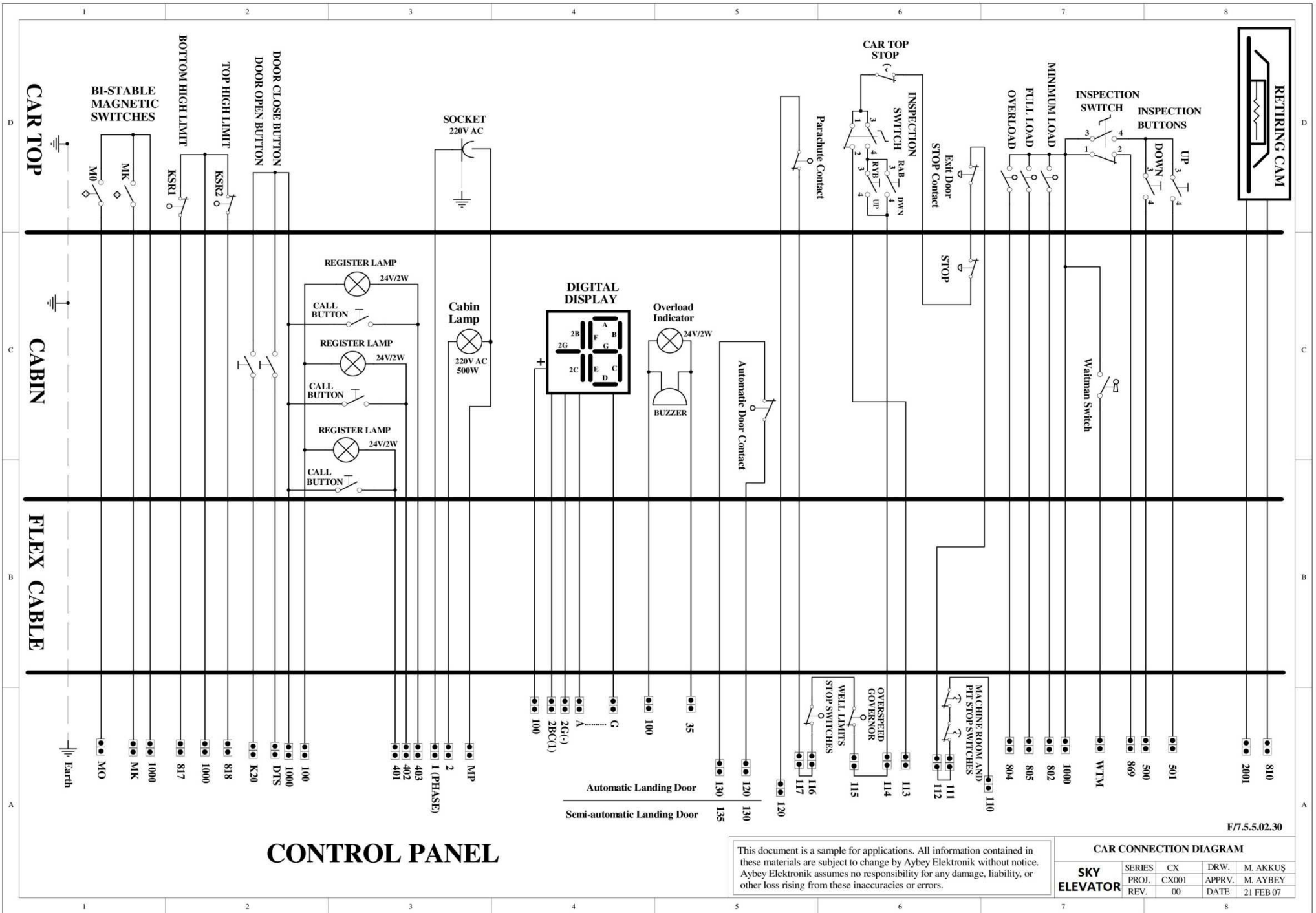
# **MAIN CONTROL BOARD TECHNICAL DRAWING CX SERIES LIFT CONTROL SYSTEM**

V - 2.0







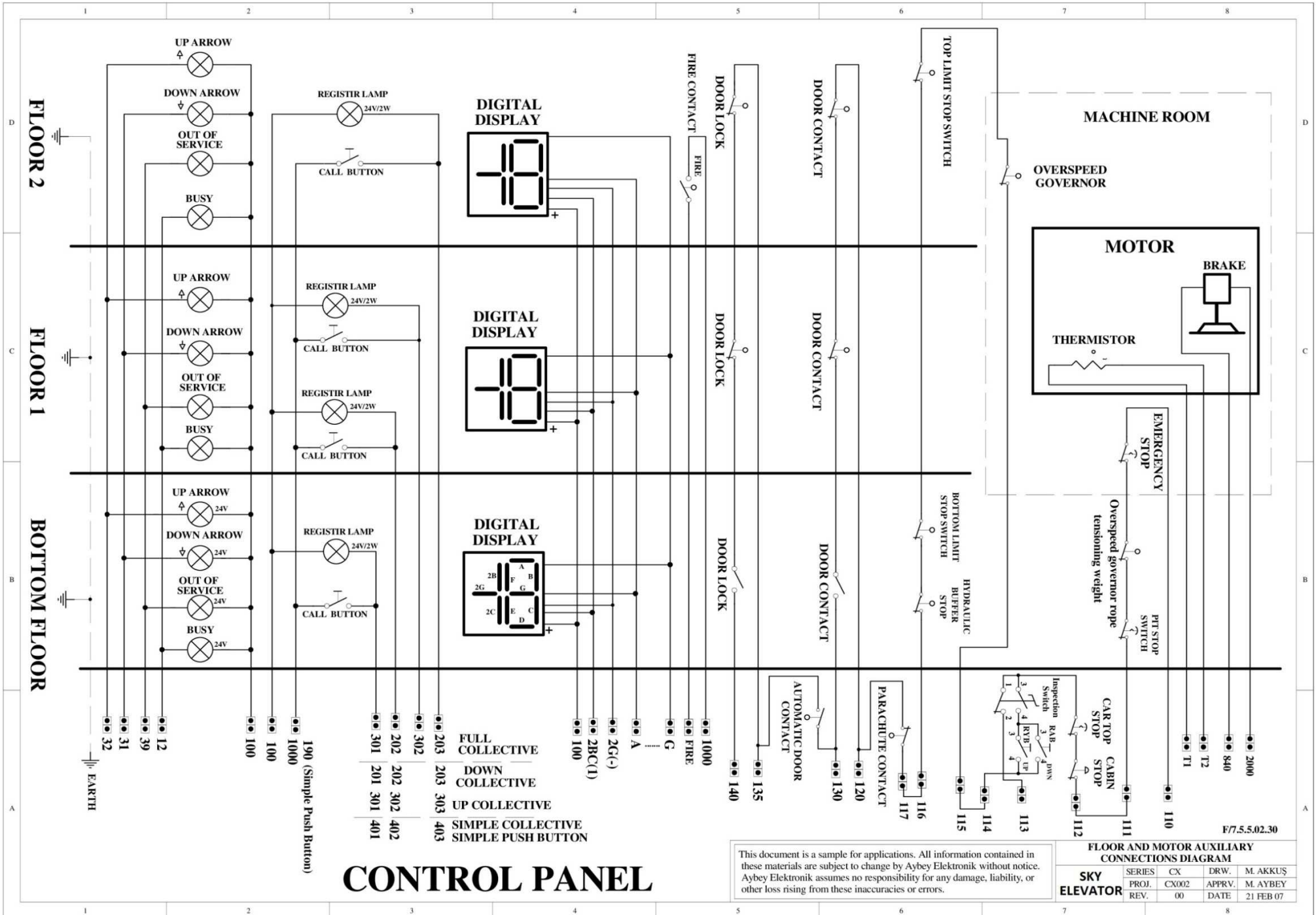


# CONTROL PANEL

This document is a sample for applications. All information contained in these materials are subject to change by Aybey Elektronik without notice. Aybey Elektronik assumes no responsibility for any damage, liability, or other loss rising from these inaccuracies or errors.

CAR CONNECTION DIAGRAM				
<b>SKY ELEVATOR</b>	SERIES	CX	DRW.	M. AKKUŞ
	PROJ.	CX001	APPRV.	M. AYBEY
	REV.	00	DATE	21 FEB 07

F/7.5.5.02.30



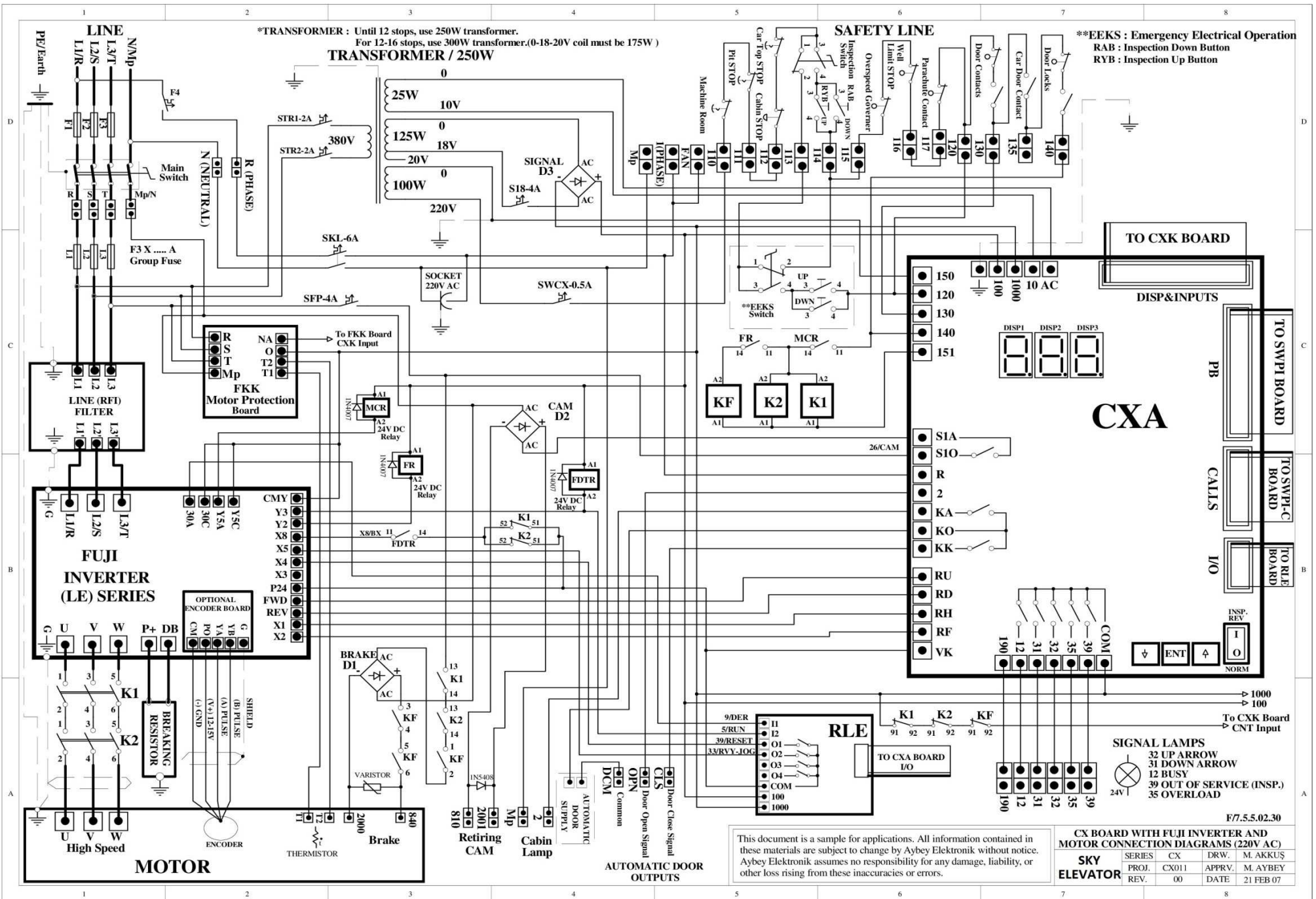
# CONTROL PANEL

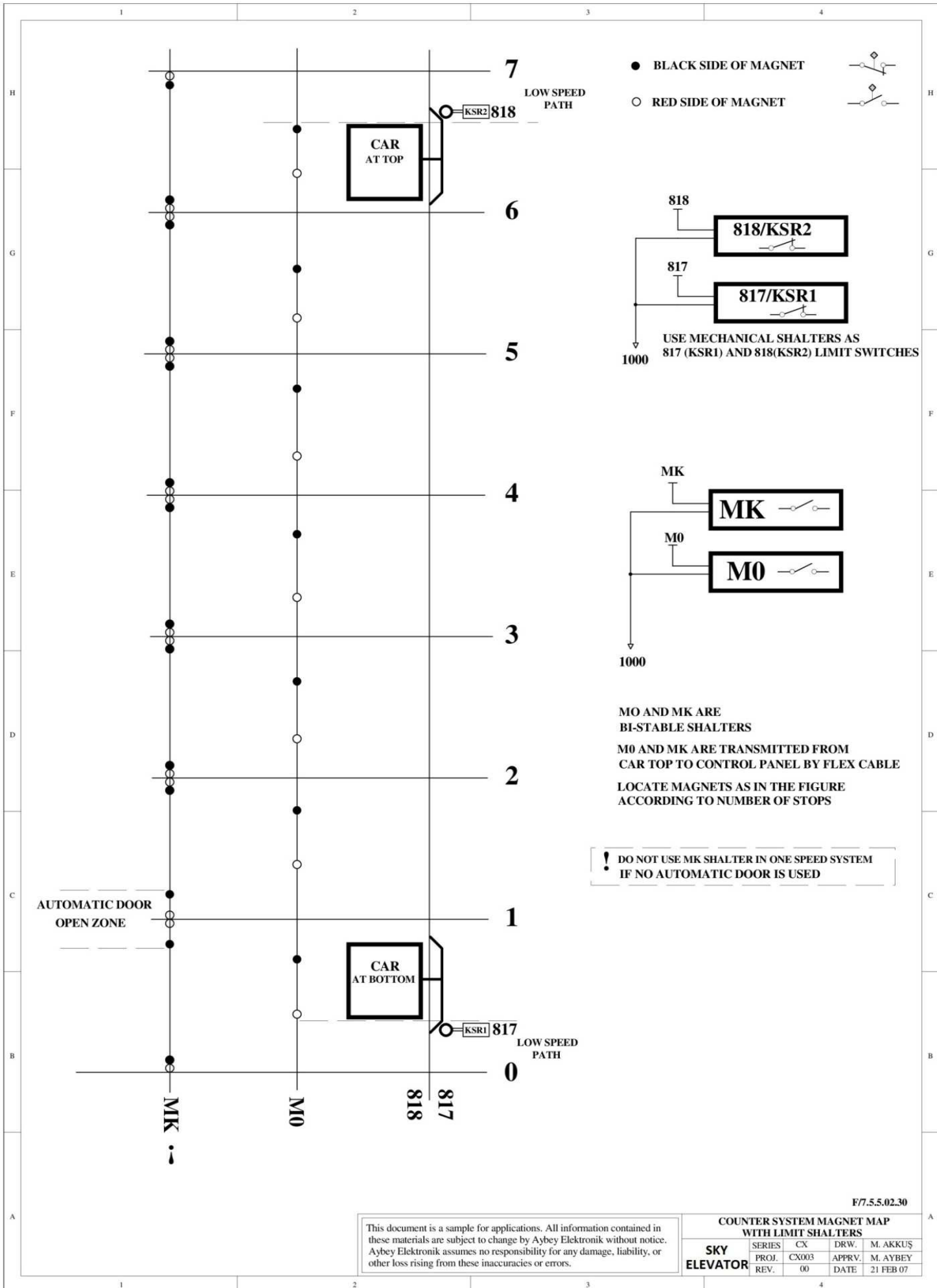
- 12
  - 31
  - 32
  - 39
  - 100
  - 100
  - 1000
  - 190 (Simple Push Button)
  - 201
  - 202
  - 301
  - 302
  - 303
  - 401
  - 402
  - 403
- FULL COLLECTIVE**  
**DOWN COLLECTIVE**  
**UP COLLECTIVE**  
**SIMPLE COLLECTIVE**  
**SIMPLE PUSH BUTTON**

This document is a sample for applications. All information contained in these materials are subject to change by Aybey Elektronik without notice. Aybey Elektronik assumes no responsibility for any damage, liability, or other loss rising from these inaccuracies or errors.

FLOOR AND MOTOR AUXILIARY CONNECTIONS DIAGRAM			
<b>SKY ELEVATOR</b>	SERIES	CX	DRW.
	PROJ.	CX002	APPRV.
	REV.	00	DATE
			M. AKKUŞ
			M. AYBEY
			21 FEB 07

F7.5.5.02.30





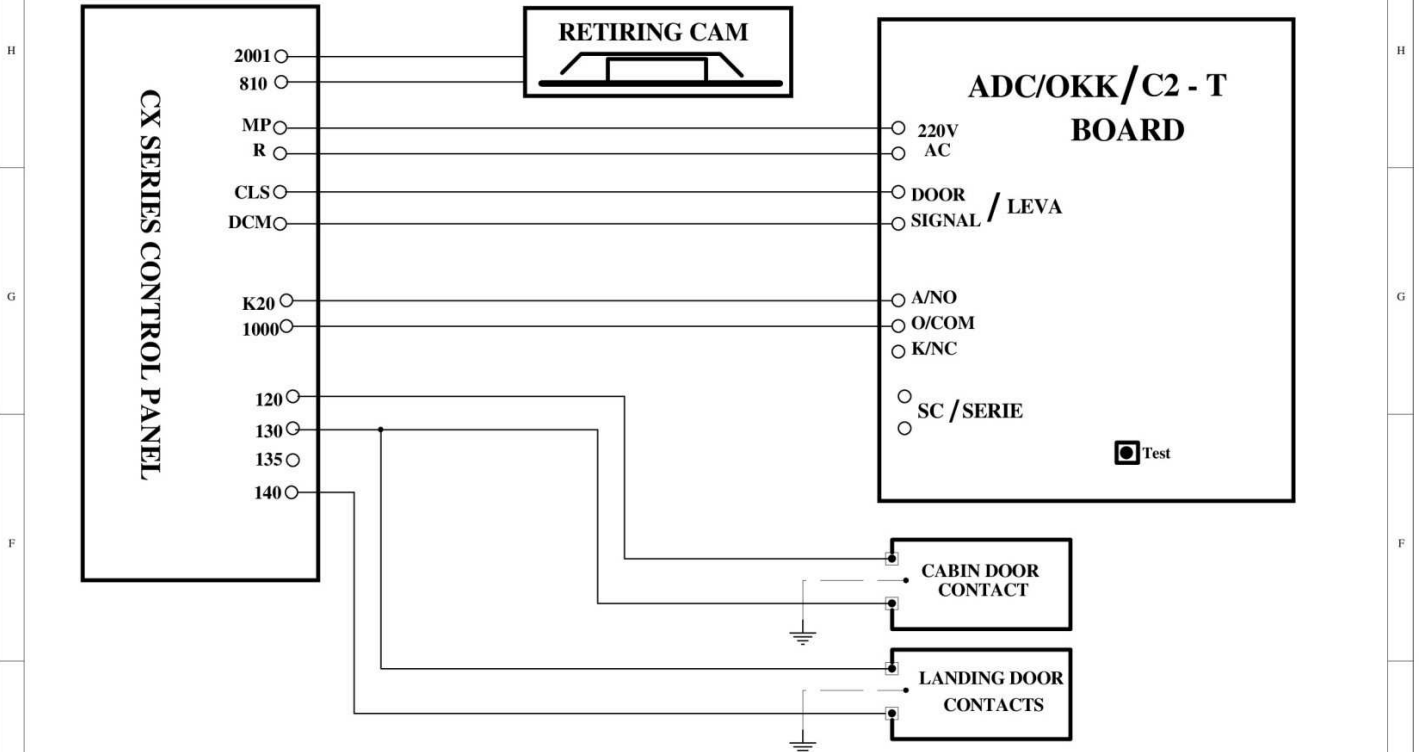
F/7.5.5.02.30

This document is a sample for applications. All information contained in these materials are subject to change by Aybey Elektronik without notice. Aybey Elektronik assumes no responsibility for any damage, liability, or other loss rising from these inaccuracies or errors.

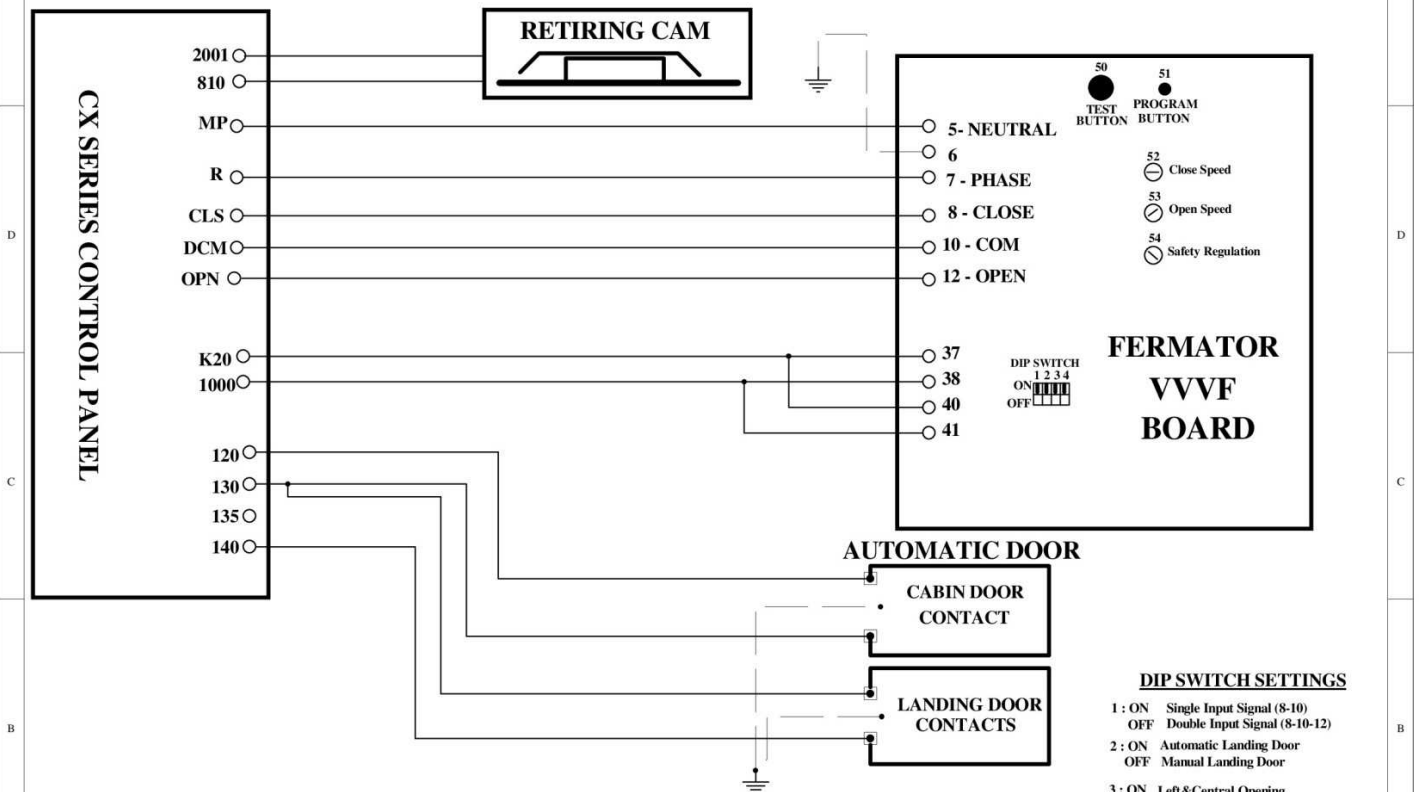
COUNTER SYSTEM MAGNET MAP WITH LIMIT SHALTERS			
<b>SKY ELEVATOR</b>	SERIES	CX	DRW. M. AKKUŞ
	PROJ.	CX003	APPRV. M. AYBEY
	REV.	00	DATE 21 FEB 07



## CX SERIES CONTROL PANEL AND FERMATOR 40/10 DOOR CONNECTION DIAGRAM



## CX SERIES CONTROL PANEL AND VVVF BOARD CONNECTION DIAGRAM



### DIP SWITCH SETTINGS

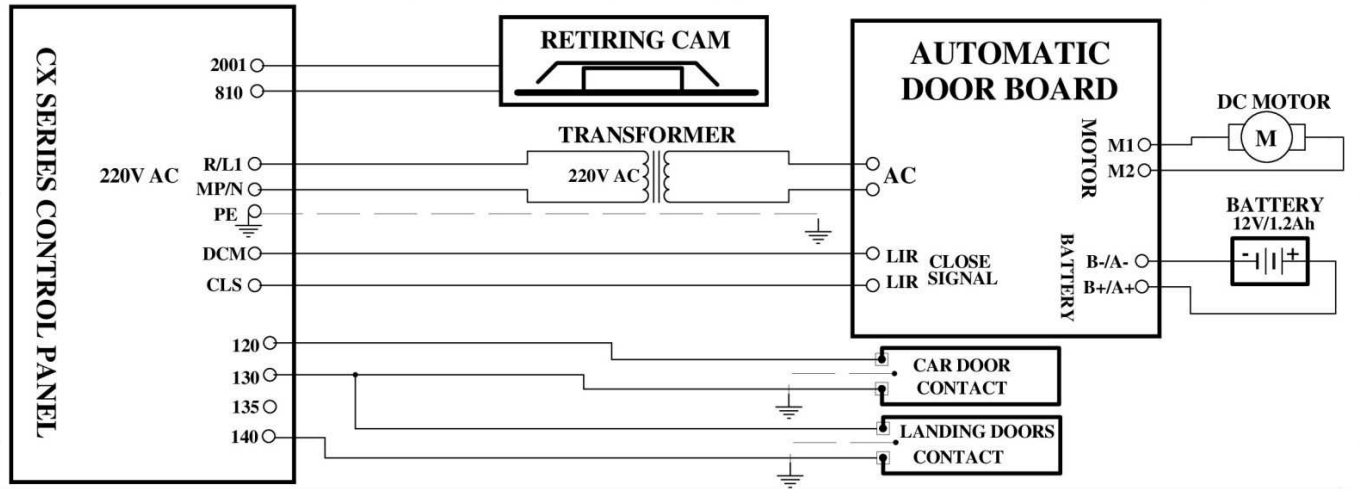
- 1 : ON Single Input Signal (8-10)  
OFF Double Input Signal (8-10-12)
- 2 : ON Automatic Landing Door  
OFF Manual Landing Door
- 3 : ON Left&Central Opening  
OFF Right Opening
- 4 : ON Automatic Self Control (MASTER)  
OFF Manual Control (SLAVE)

- 1) CAM terminals (2001-810) are not used if car and landing doors are full-automatic
- 2) If cabin door is automatic and landing doors are manual then:  
 Landing door contacts are serially connected to 120-130 terminals.  
 Car door contacts are serially connected to Car door contact (130-135) terminals.  
 Landing door lock contacts are serially connected to Car door contact (135-140) terminals.

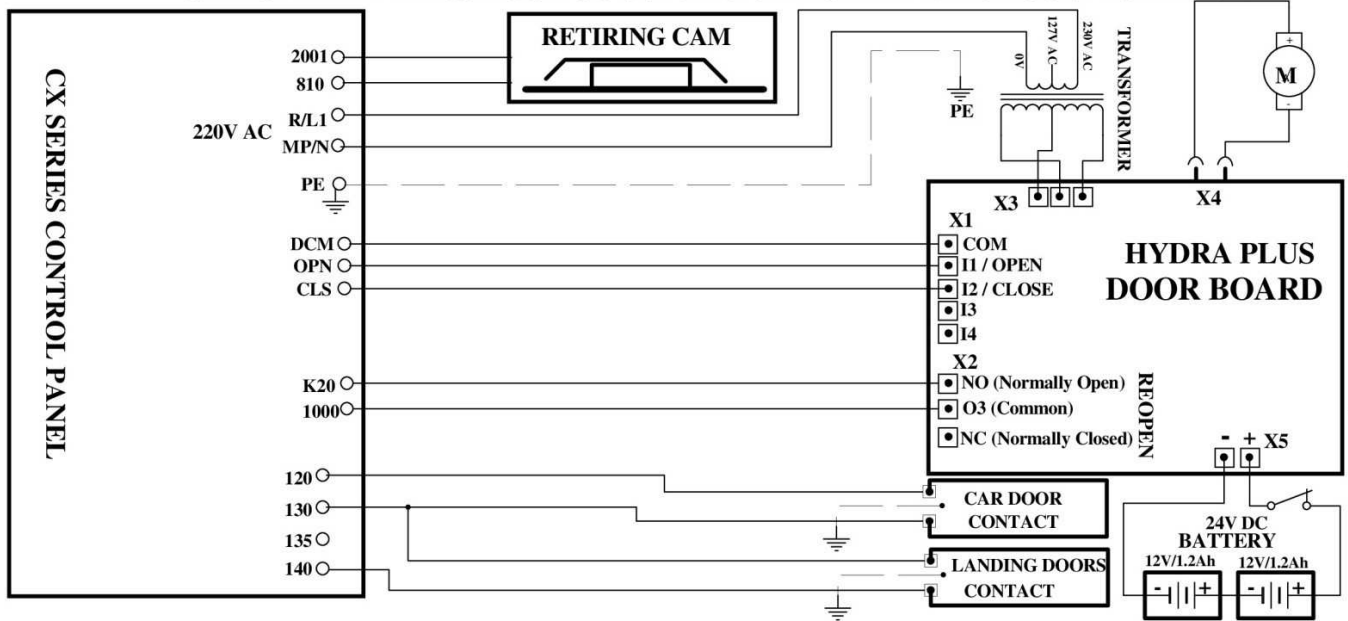
This document is a sample for applications. All information contained in these materials are subject to change by Aybey Elektronik without notice. Aybey Elektronik assumes no responsibility for any damage, liability, or other loss rising from these inaccuracies or errors.

F/7.5.5.02.30			
CX CONTROL PANEL AND FERMATOR DOOR CONNECTION DIAGRAM			
<b>SKY ELEVATOR</b>	SERIES PROJ. CX007 REV. 00	CX APPRV. M. AYBEY DATE	DRW. M. AKKUŞ M. AYBEY 21 FEB 07

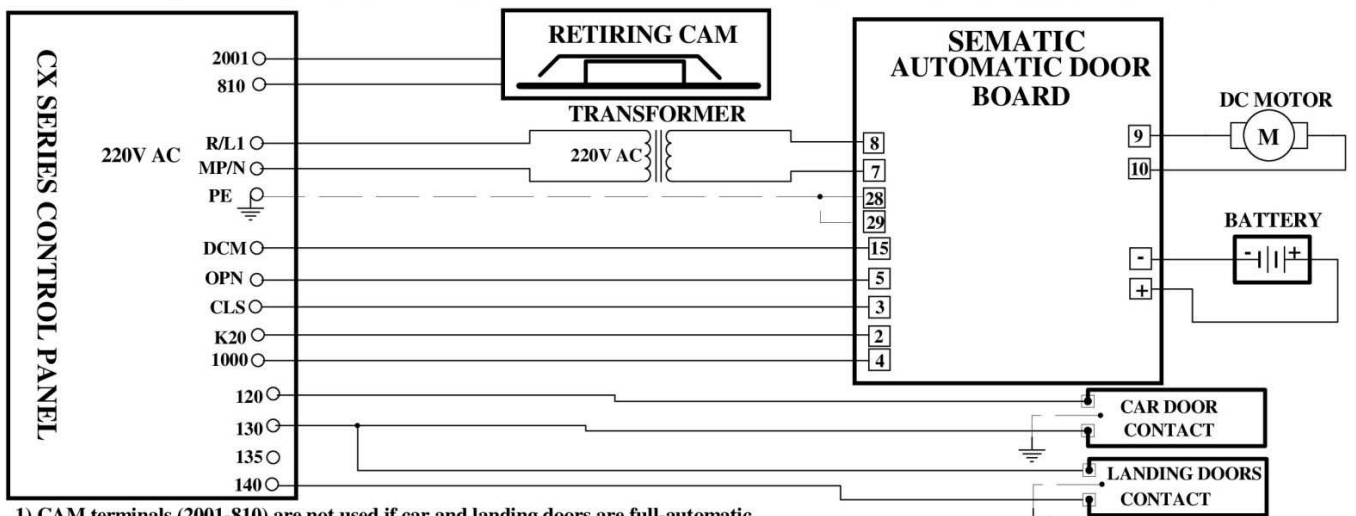
MERIH AND TROMP DOOR CONNECTION DIAGRAM FOR CX CONTROL PANEL



WITTUR HYDRA PLUS DOOR CONNECTION DIAGRAM FOR CX CONTROL PANEL



SEMATIC AUTOMATIC DOOR CONNECTION DIAGRAM FOR CX CONTROL PANEL



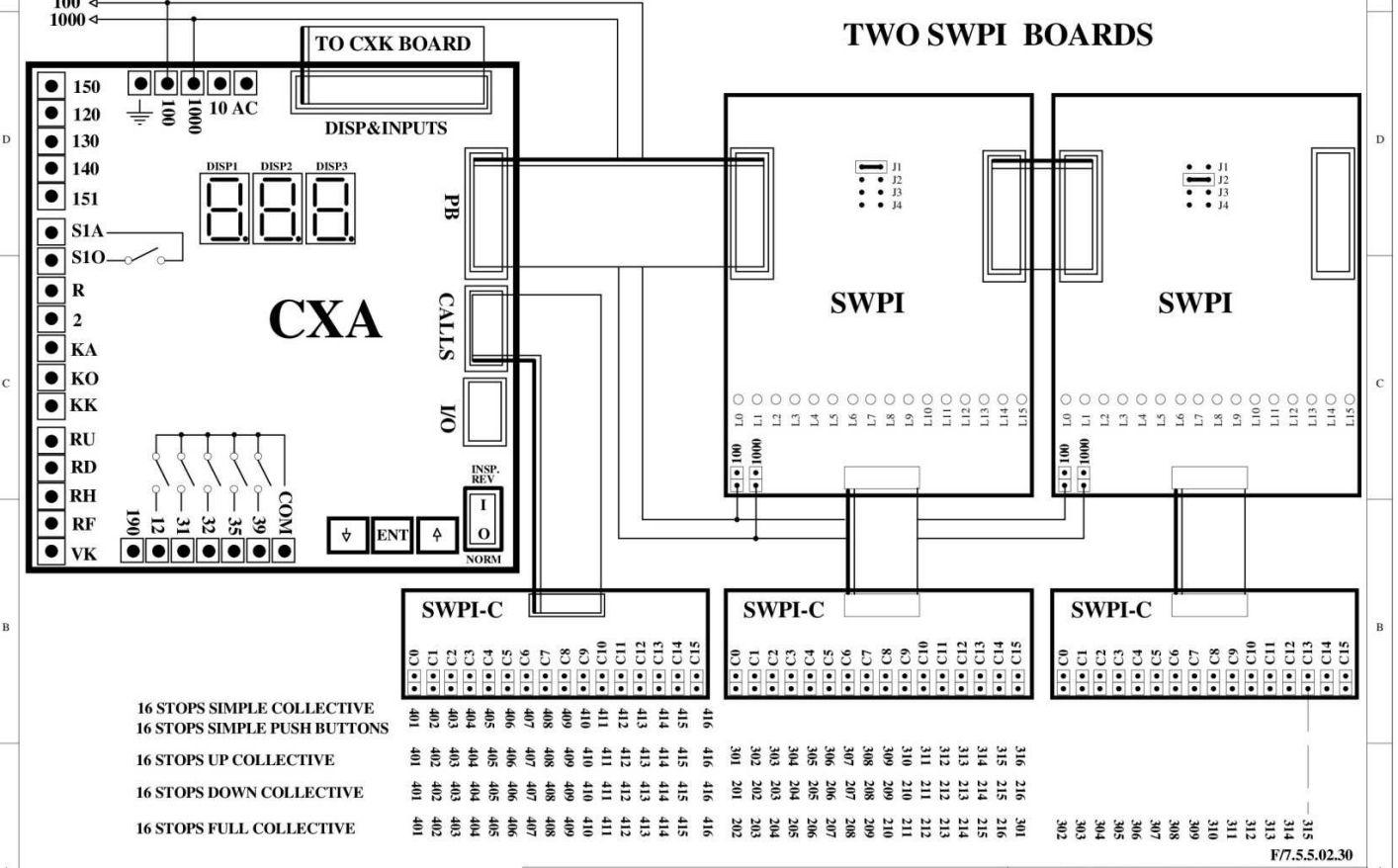
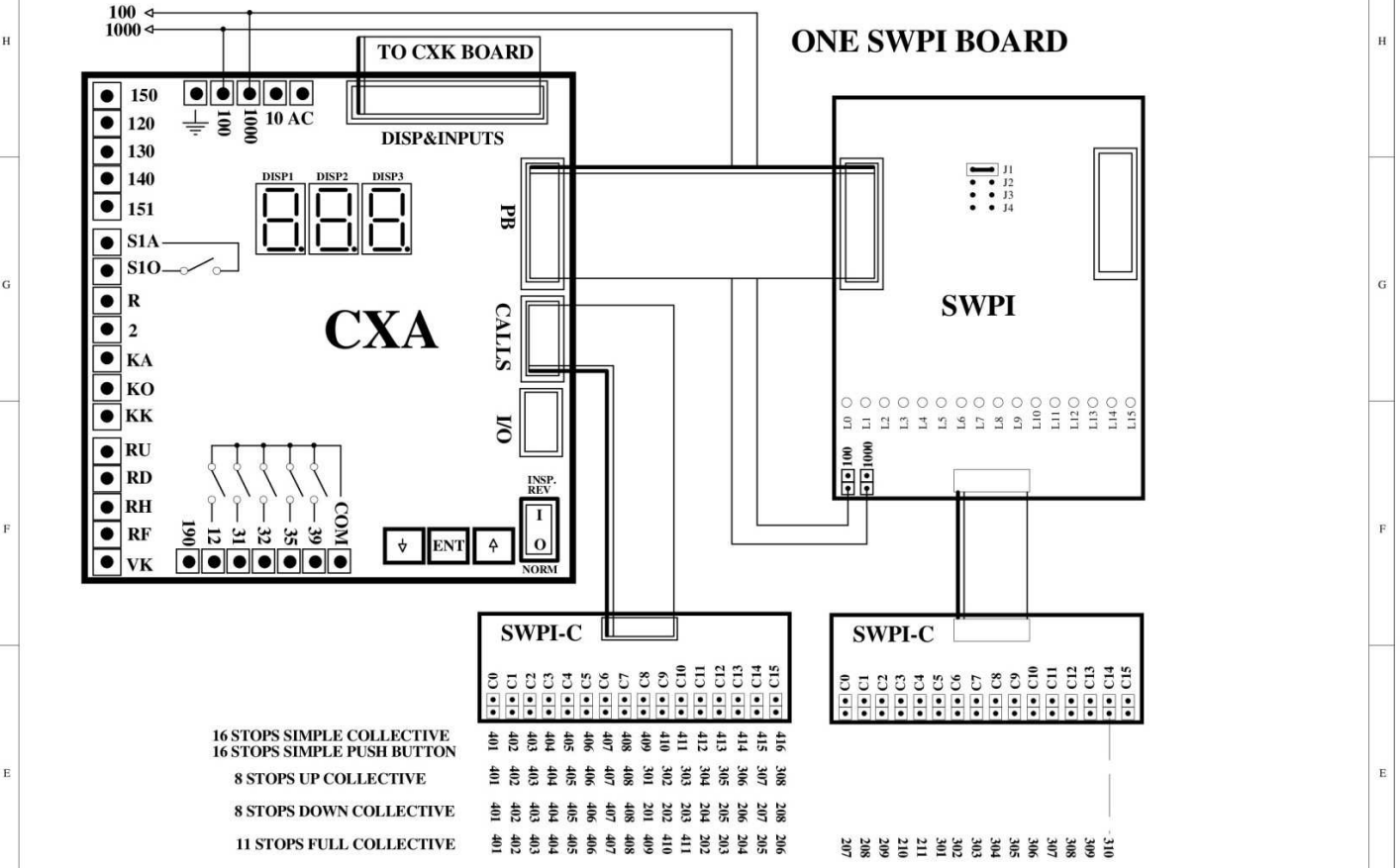
- 1) CAM terminals (2001-810) are not used if car and landing doors are full-automatic
- 2) If cabin door is automatic and landing doors are manual then:  
 Landing door contacts are serially connected to 120-130 terminals.  
 Car door contacts are serially connected to Car door contact (130-135) terminals.  
 Landing door lock contacts are serially connected to Car door contact (135-140) terminals.

F/7.5.5.02.30

This document is a sample for applications. All information contained in these materials are subject to change by Aybey Elektronik without notice. Aybey Elektronik assumes no responsibility for any damage, liability, or other loss rising from these inaccuracies or errors.

MERIH, TROMP, HYDRA PLUS AND SEMATIC DOOR CONNECTION DIAGRAM			
SKY ELEVATOR	SERIES	CX	DRW. M. AKKUŞ
	PROJ.	CX063	APPRV. M. AYBEY
	REV.	00	DATE 21 FEB 07

# SWPI CALL REGISTER BOARD CONFIGURATIONS



This document is a sample for applications. All information contained in these materials is subject to change by Aybey Elektronik without notice. Aybey Elektronik assumes no responsibility for any damage, liability, or other loss rising from these inaccuracies or errors.

F/7.5.5.02.30

**SWPI BOARD CONFIGURATIONS AND CONNECTION DIAGRAM**

<b>SKY ELEVATOR</b>	SERIES	CX	DRW.	M. AKKUŞ
	PROJ.	CX008	APPRV.	M. AYBEY
	REV.	00	DATE	21 FEB 07